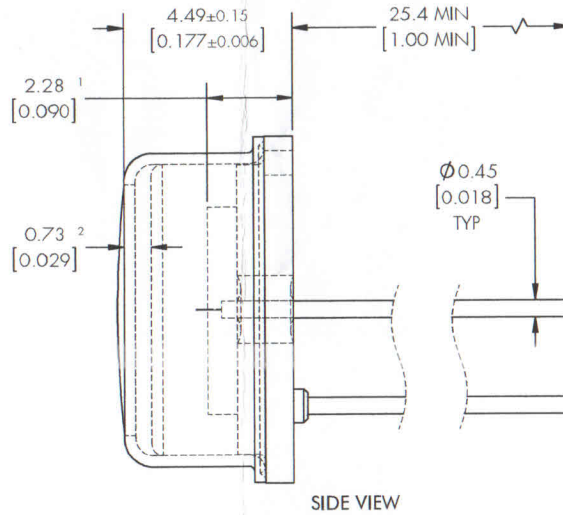
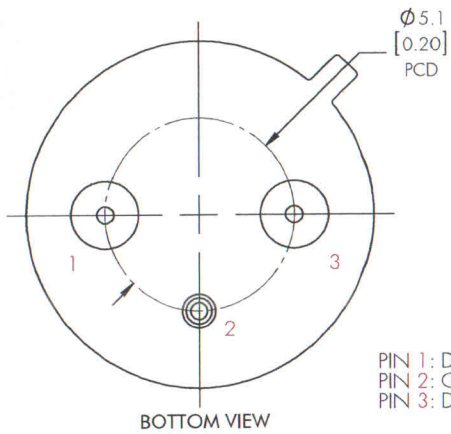


Note:
Center of detector is be within
100µm of center of Datum A.

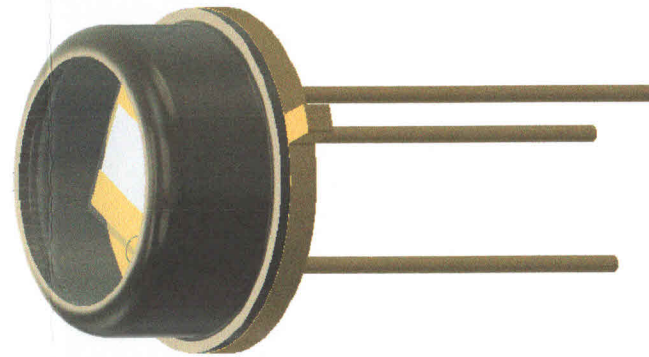


¹ Distance from top of active area
to bottom of device

² Window thickness.



PIN 1: DETECTOR
PIN 2: GROUND/CASE
PIN 3: DETECTOR



Drawn By: *David*
On: 4/25/2018
Drafting: *David*
Engineering: *R*
Production: *Burd*
Management: *D. Quinn*



PROPRIETARY AND CONFIDENTIAL
THE INFORMATION CONTAINED IN
THIS DRAWING IS THE SOLE PROPERTY
OF LASER COMPONENTS. ANY
REPRODUCTION IN PART OR AS A
WHOLE WITHOUT THE WRITTEN
PERMISSION OF LASER COMPONENTS
IS PROHIBITED.

UNLESS OTHERWISE SPECIFIED:
DIMENSIONS ARE IN MM [IN]
STANDARD TOLERANCES - MM:
ANGULAR: ±5°
ONE PLACE DECIMAL: ±0.5
TWO PLACE DECIMAL: ±0.1

TITLE:
3-Pin Radial TO-39 Package
2mm x 5mm Active Area
Lead Sulfide
Product Outline Drawing

REV.	DESCRIPTION	DATE	REVISED BY
	REVISION		

SIZE	DWG. NO.	REV
B	PB25G20509	
SCALE: 8:1		SHEET 1 OF 1